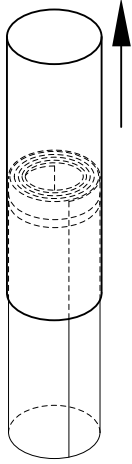
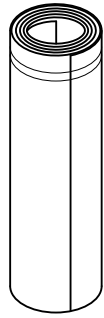




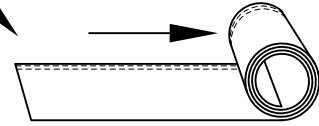
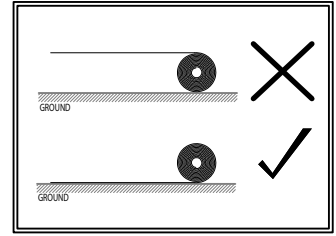
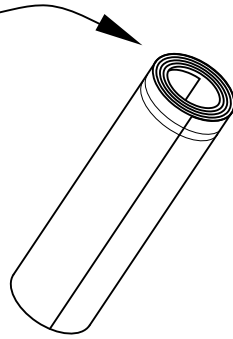
STAND ROLL ON END



REMOVE SLEEVE



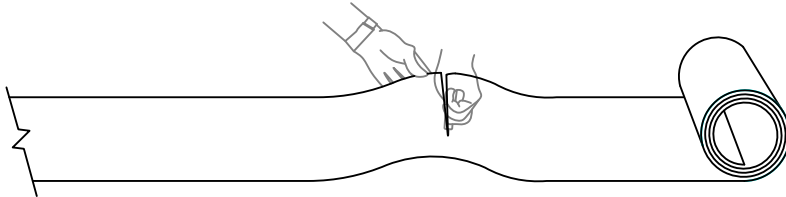
PUT ROLL ON SIDE



UNROLL RAM BOARD LOGO SIDE UP

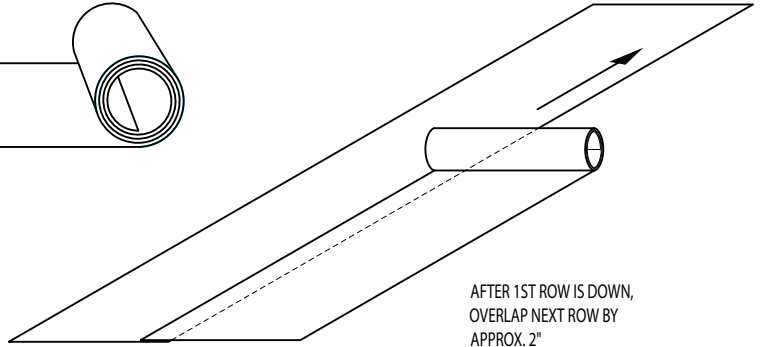
STEP 2

STEP 1



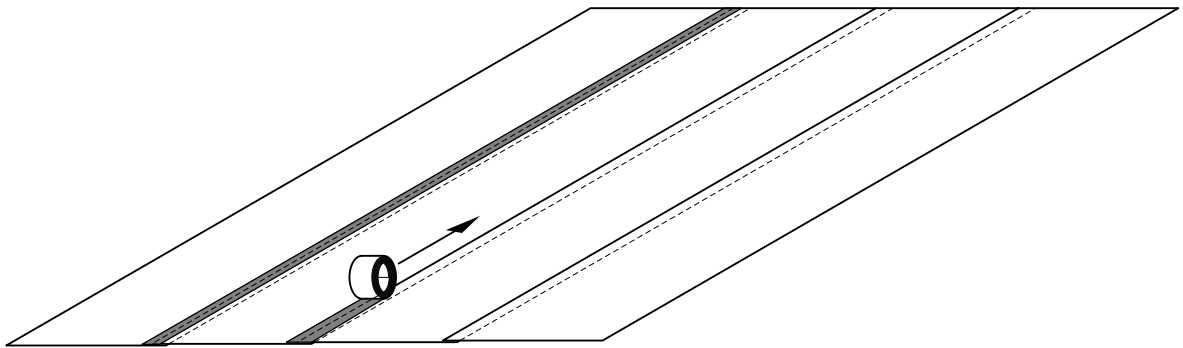
LIFT RAM BOARD UP AWAY FROM FLOOR TO CUT

STEP 3



AFTER 1ST ROW IS DOWN, OVERLAP NEXT ROW BY APPROX. 2"

STEP 4



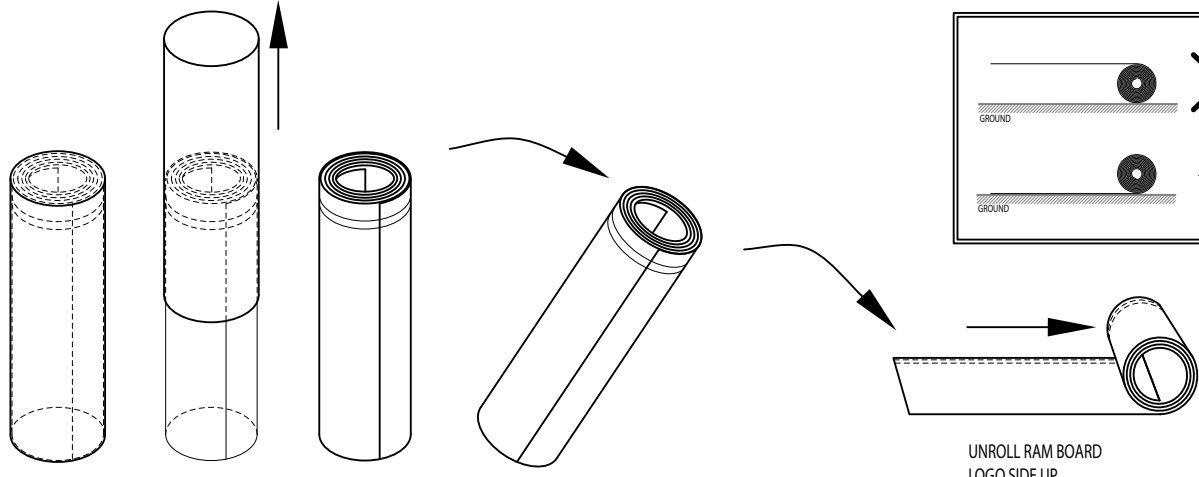
TAPE SEAMS WITH RAM BOARD SEAM TAPE® OR VAPOR-CURE® TAPE

STEP 5



PRODUCT

RAM BOARD® INSTRUCTIONS



STAND ROLL ON END

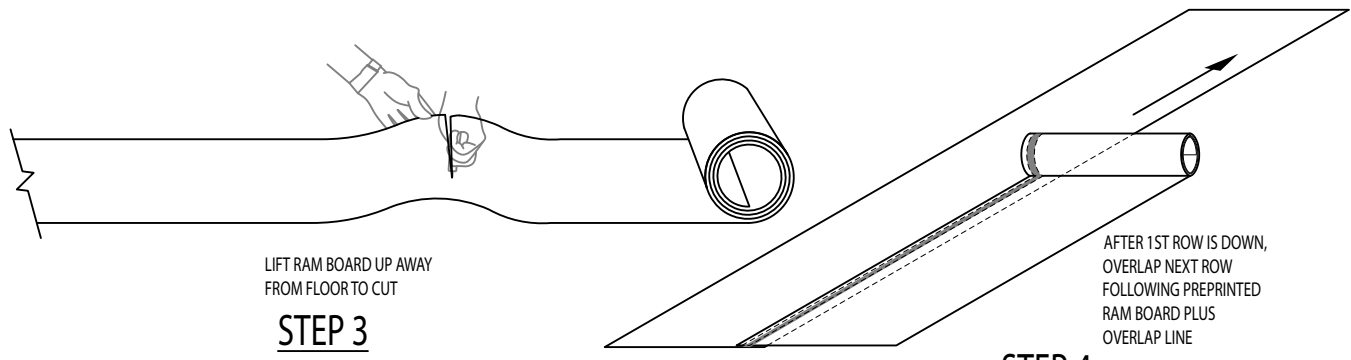
REMOVE SLEEVE

PUT ROLL ON SIDE

UNROLL RAM BOARD LOGO SIDE UP

STEP 1

STEP 2

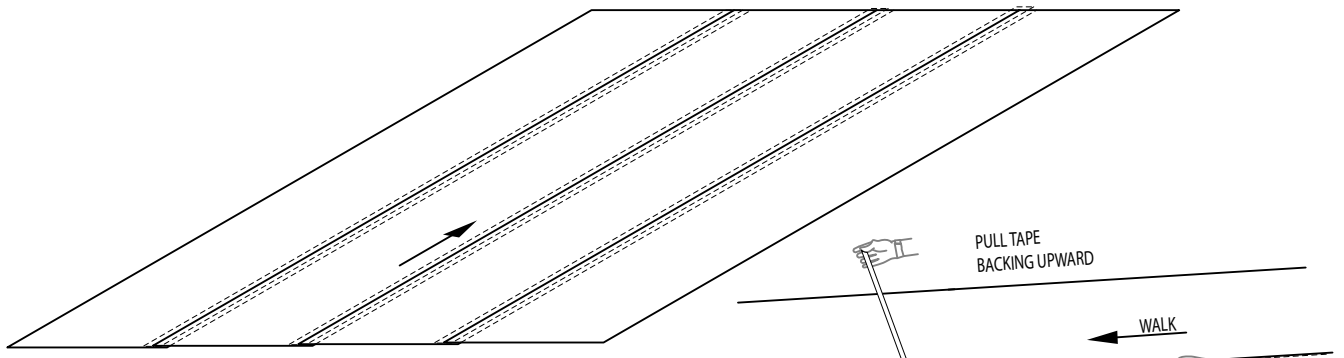


LIFT RAM BOARD UP AWAY FROM FLOOR TO CUT

AFTER 1ST ROW IS DOWN, OVERLAP NEXT ROW FOLLOWING PREPRINTED RAM BOARD PLUS OVERLAP LINE

STEP 3

STEP 4



OVERLAP SEAMS FOLLOWING THE PREPRINTED OVERLAP LINE

PULL TAPE BACKING UPWARD

WALK

STEP 5

STEP 6

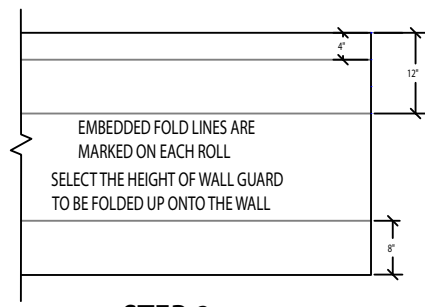
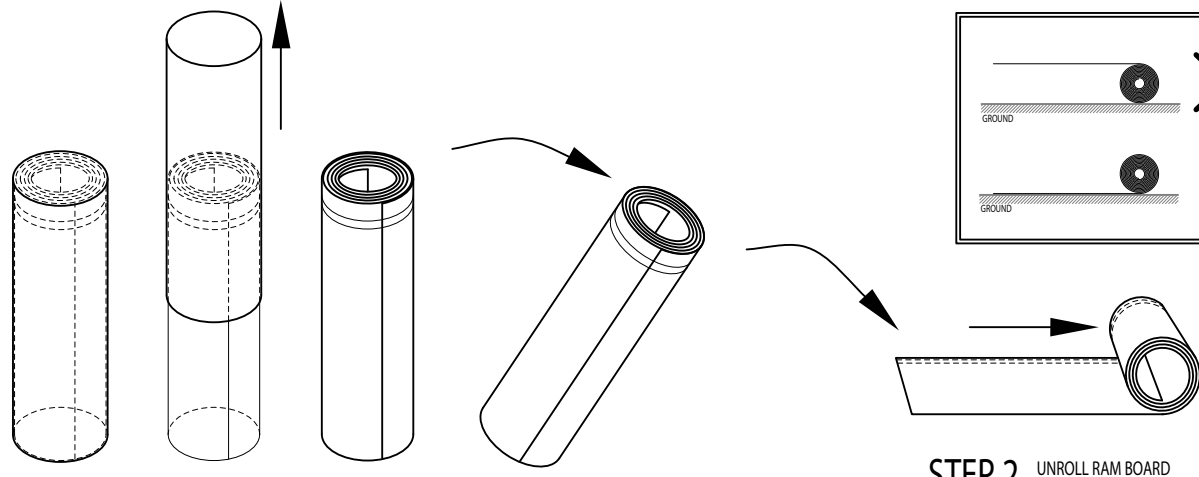
PULL TAPE BACKING FROM UNDERNEATH BOARD WHILE WALKING BEHIND, STEPPING ON TAPE OVERLAP



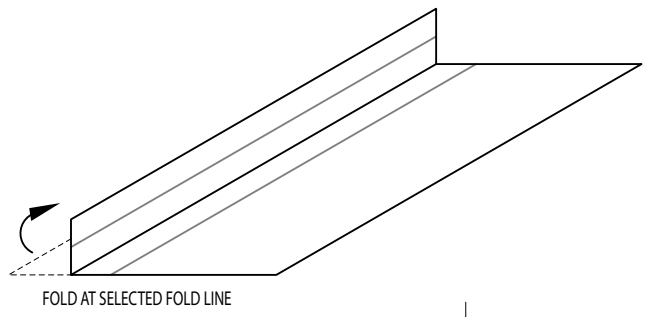
PRODUCT

RAM BOARD PLUS™ INSTRUCTIONS

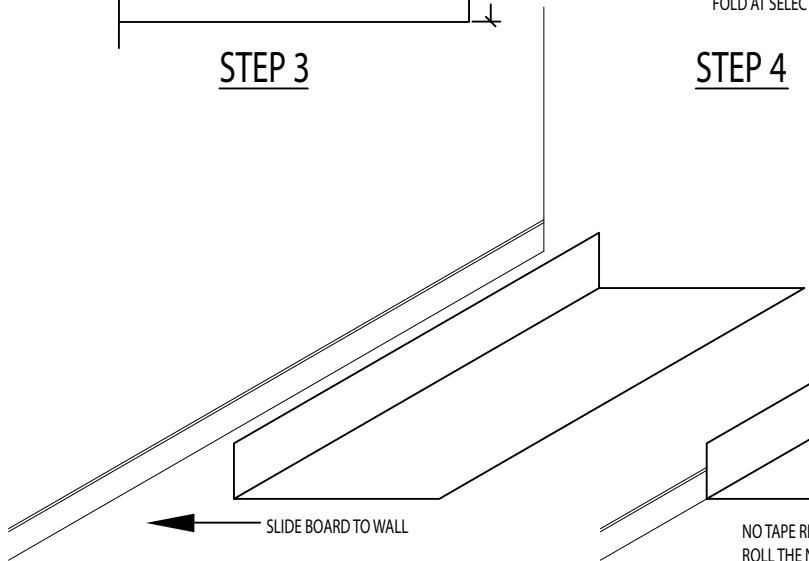
PATENT PENDING



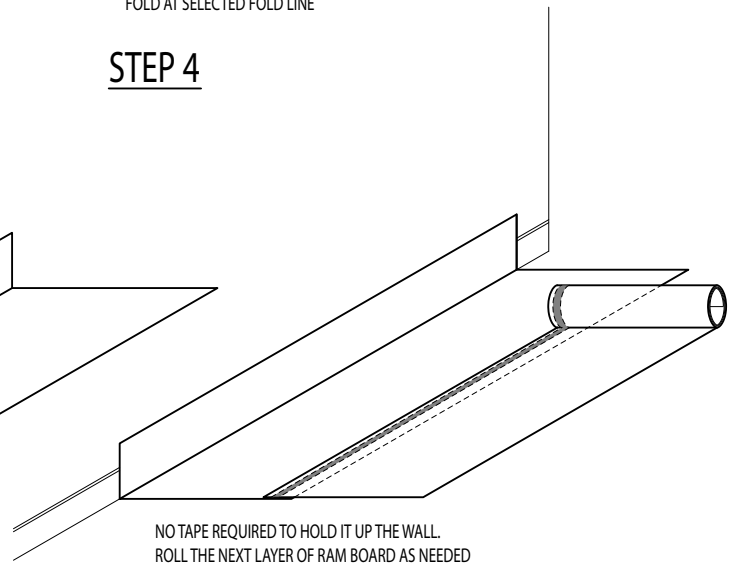
STEP 3



STEP 4



STEP 5



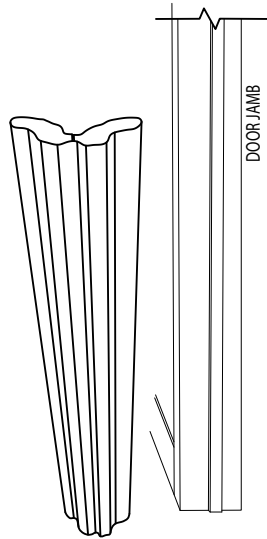
STEP 6



PRODUCT

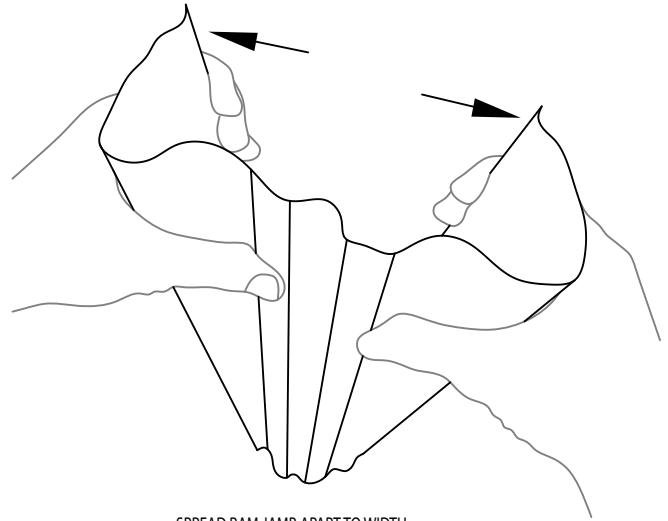
WALL GUARD® INSTRUCTIONS

PATENT
Pat. US 9,365,385
Pat. US D751,223



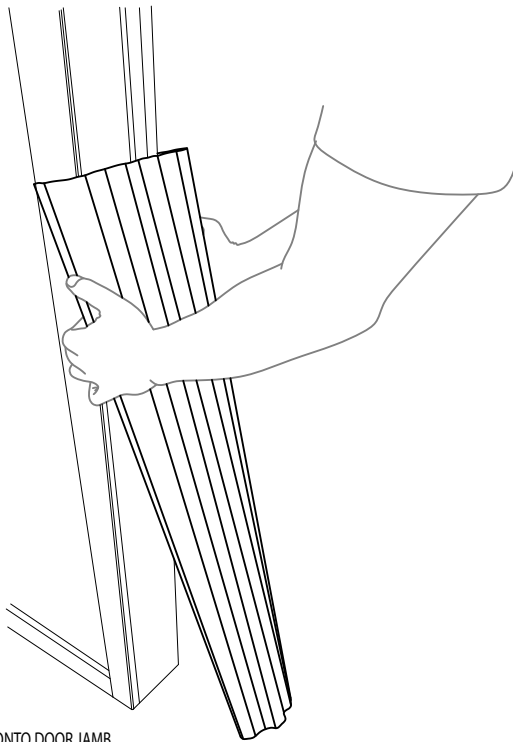
ALIGN RAM JAMB WITH DOOR JAMB

STEP 1



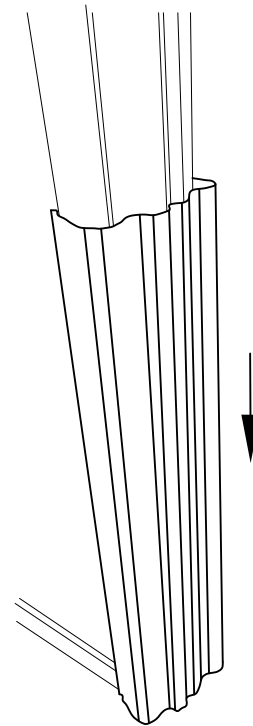
SPREAD RAM JAMB APART TO WIDTH OF DOOR JAMB

STEP 2



PLACE RAM JAMB ONTO DOOR JAMB

STEP 3



SLIDE RAM JAMB ALONG DOOR JAMB TO FLOOR

STEP 4



RAM BOARD
TEMPORARY FLOOR PROTECTION

PRODUCT

RAM JAMB™ INSTRUCTIONS