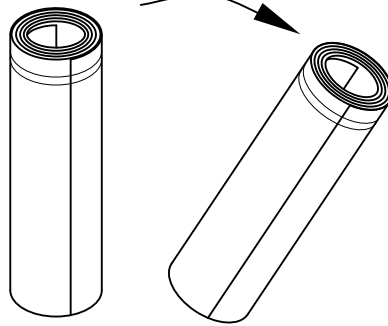


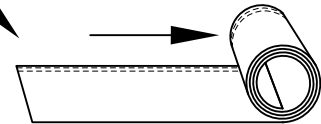
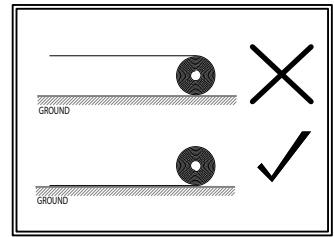
STAND ROLL ON END

REMOVE SLEEVE

**STEP 1**

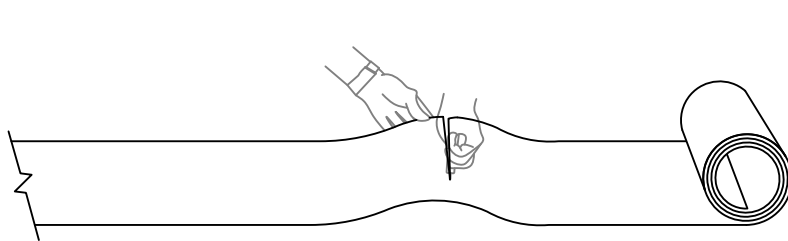


PUT ROLL ON SIDE



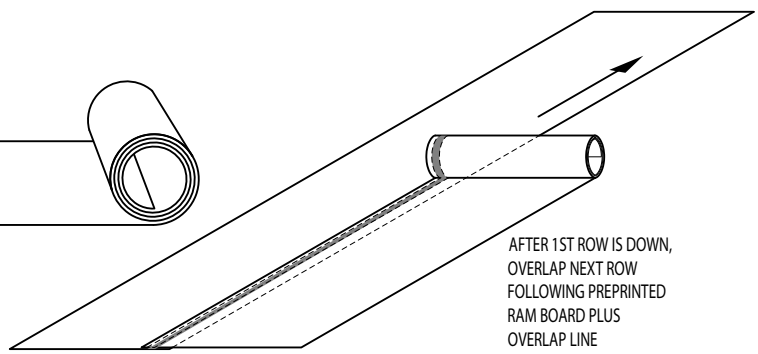
UNROLL RAM BOARD LOGO SIDE UP

**STEP 2**



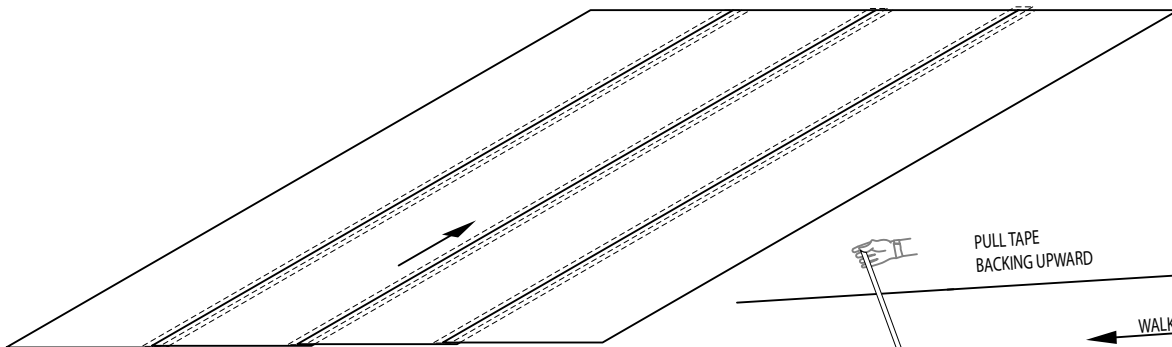
LIFT RAM BOARD UP AWAY FROM FLOOR TO CUT

**STEP 3**



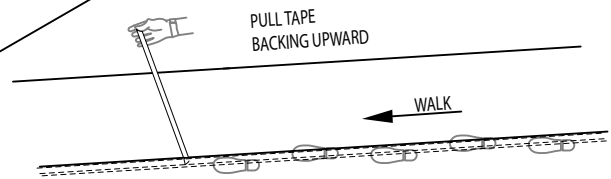
AFTER 1ST ROW IS DOWN, OVERLAP NEXT ROW FOLLOWING PREPRINTED RAM BOARD PLUS OVERLAP LINE

**STEP 4**



OVERLAP SEAMS FOLLOWING THE PREPRINTED OVERLAP LINE

**STEP 5**



PULL TAPE BACKING UPWARD

WALK

PULL TAPE BACKING FROM UNDERNEATH BOARD WHILE WALKING BEHIND, STEPPING ON TAPE OVERLAP

**STEP 6**



PRODUCT

**RAM BOARD PLUS™ INSTRUCTIONS**

PATENT PENDING